

# Energypro

EB/PRO-01



- Energy monitoring on panel and granular level in real time
- Measuring up to 48 circuits
- Data logger and gateway with built in memory
- Display live data and status
- Cloud connection over IP network
- Cloud based setup configuration
- Secured SSL encryption with PFS and TLS

Energypro opens the door into the world of real time energy monitoring. The DIN rail datalogger and gateway with built in memory offers panel metering for 1-3 phase systems. Via the sensorbus it enables further metering of up to 48 additional circuits providing full transparency on your energy consumption per breaker. Securely connected to cloud via SSL encrypted data transmission the energy monitoring data is uplinked to the Energybox® Cloud and keeps full record on electrical energy flow on both, panel mains as well as selected sub circuits.



# Energypro

EB/PRO-01



## Product Specification

### Built in Power Supply

**Power Input** Power in on L1  
90-277VAC, 50/60Hz  
Consumption max. 6W

### Measurement Capacity

**Voltage** 3 Channel L1-N, L2-N, L3-N  
90-277VAC

**Current** Panel Metering  
3 Channel CT 0-1000A/0.33V  
Granular Metering  
48 Channel - 8 Energybar 0-30A  
48 Channel - 6 Energyspider CT 0-400A

**Frequency** 50/60Hz

### Network Communication

**LAN** RJ45 10/100MBit

**Cable** CAT5E or higher

**IP Setting** DHCP or Static IP

**Internet** Min. 128 kbps upload speed

**Security** TLS1.2 with PFS encryption  
AES-128 encryption

### Data-Logging Memory

**Memory Size** 64MB

**Capacity** 1 week for real time monitoring  
6 months for 1 min aggregate

**Sampling Rate** 16 kHz CT scanning/ 1s aggregation

### Mechanical Specification

**Material** Flame-retardant PC (UL 94-V0)

**Mounting** DIN Rail 3U

**Size** L3.39" x W2.14" x H2.60"  
L86 x W54.3 x H66mm

**Weight** 0.42lbs / 187.1g

### Environmental Conditions

**Location** Indoor fixed installation

**Operating Temp.** 32°F to 113°F / 0°C to +45°C

**Storage Temp.** -22°F to 140°F / -30°C to +60°C

**Humidity** Max. 90% non-condensing

### Wiring Specification

**Phase Connection**

**Connector** Screw-terminal max. AWG12

**CT Connection**

**Connector** Clamp-terminal AWG14-28min

**Cable Length** Max. 3.3ft / 1m

**Sensorbus Connection**

**Connector** SATA / RJ45 via Sensorbus Extender

**Cable Length** SATA - Max. 4.92ft / 1.5m  
RJ45 - Max. 13ft / 4m

### Regulatory

**Safety** UL 916

**FCC** PT-15

**Mark** CE, RoHS, WEEE, Recycle

**Measurement** CAT III (300VAC) - EN61010

### Accessories

**EnergyCT**

EB/CT01-00-050 EnergyCT 50A

EB/CT01-00-100 EnergyCT 100A

EB/CT01-00-200 EnergyCT 200A

EB/CT01-00-400 EnergyCT 400A

EB/CT01-00-600 EnergyCT 600A

EB/PL01-00-1000 Powerloop 1000A

**Wire Connection to Energybar**

EB/BARSC-00-005 Energybar Starter Cable 0.5m

EB/BARSC-00-015 Energybar Starter Cable 1.5m

**Wire Connection to Energyspider**

EB/SPISC-00-005 Energyspider Starter Cable 0.5m

EB/SPISC-00-015 Energyspider Starter Cable 1.5m

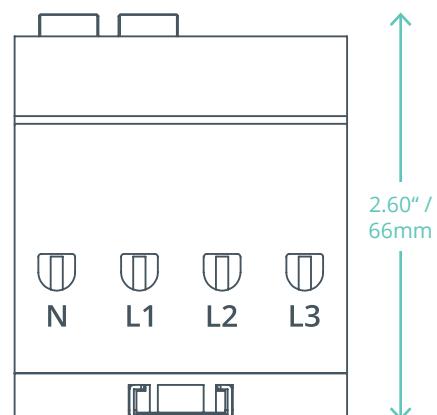
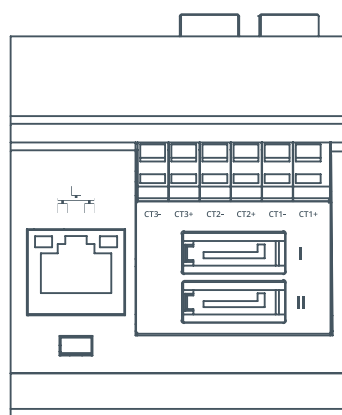
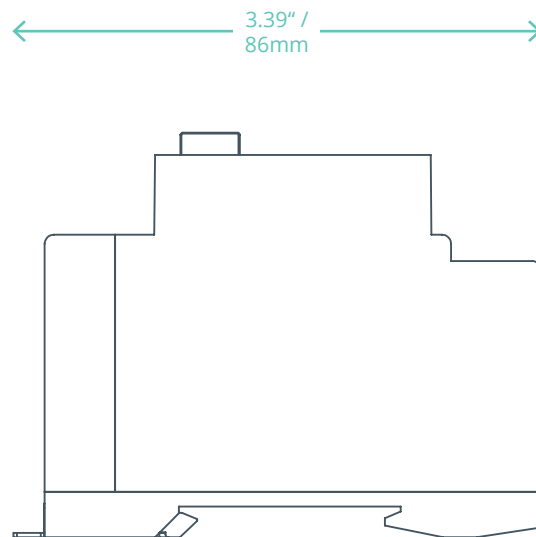
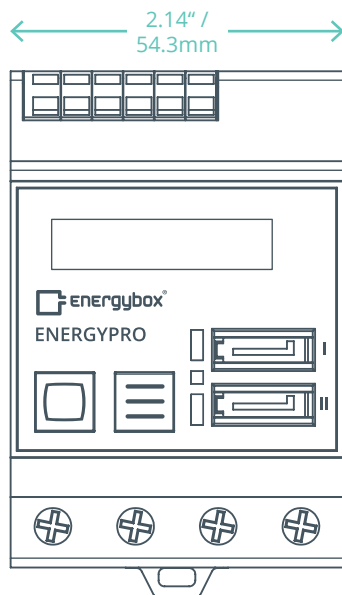
EB/SBEX-00-SATA/ Sensorbus Extender via LAN  
RJ45

# Energypro

EB/PRO-01



## Dimension

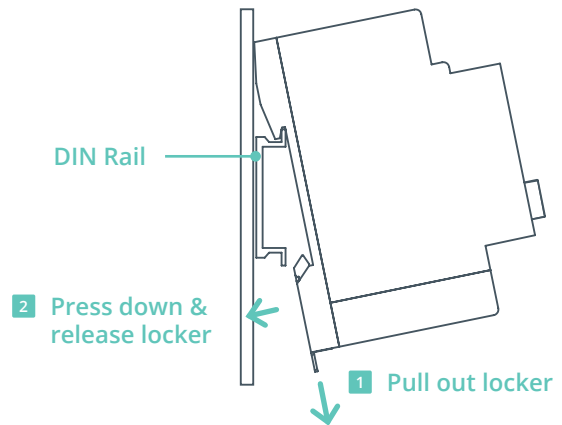
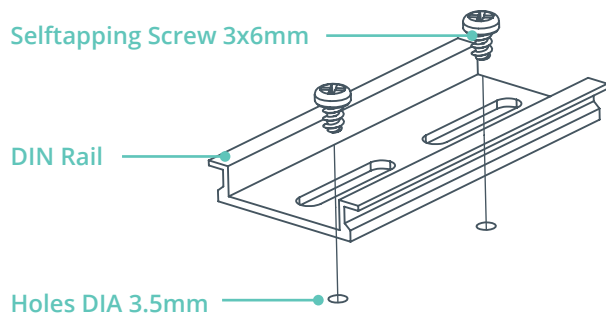


# Energypro

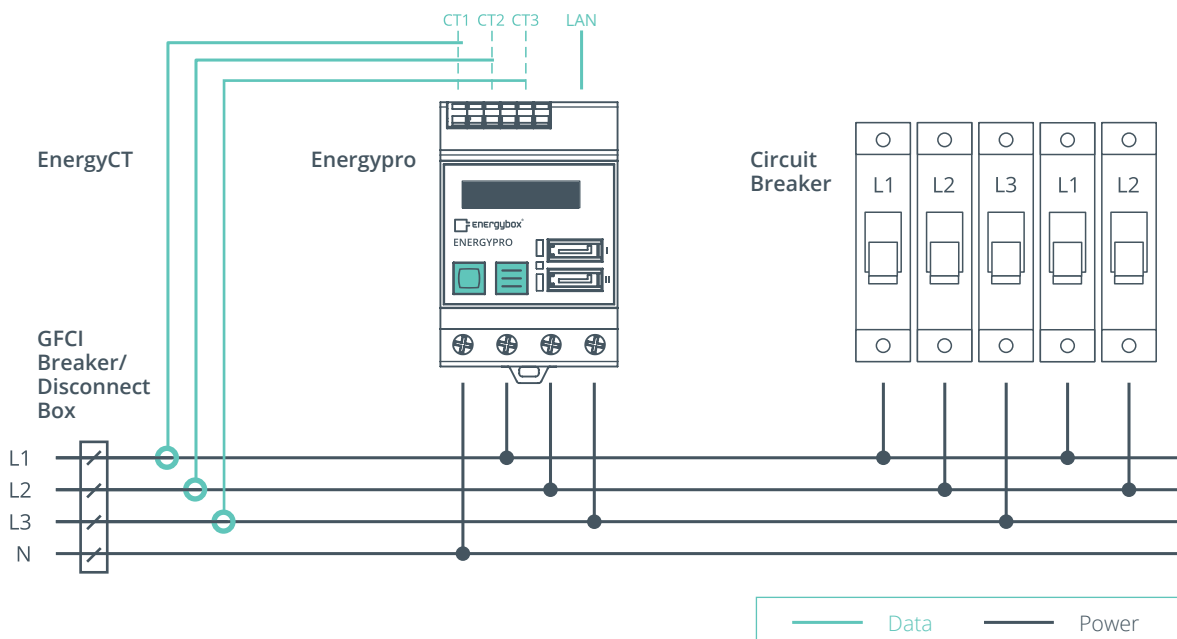
EB/PRO-01



## Mounting



## Wiring Principle



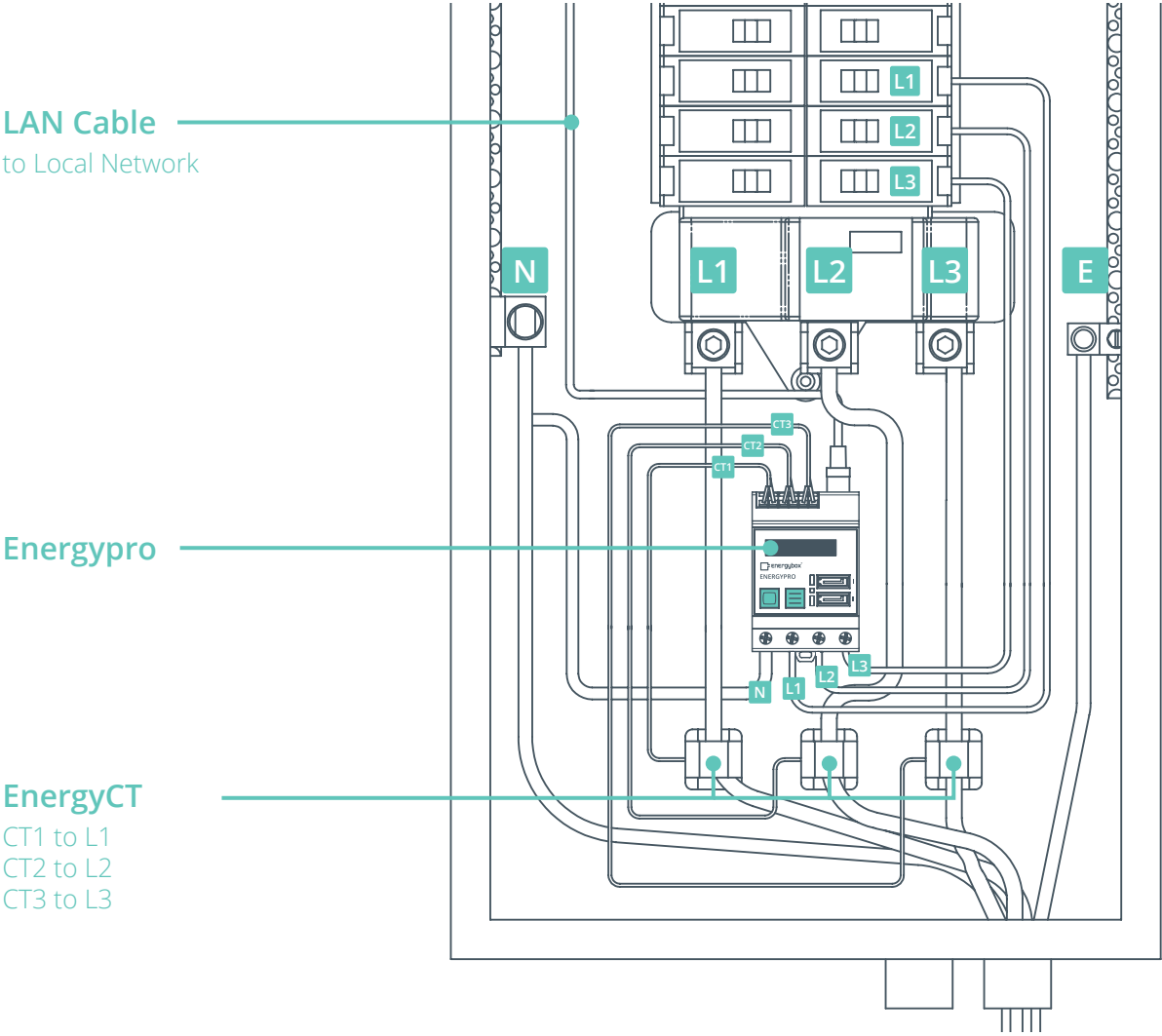
# Energypro

EB/PRO-01



## Installation

Inside the Load Center



# Energypro

EB/PRO-01



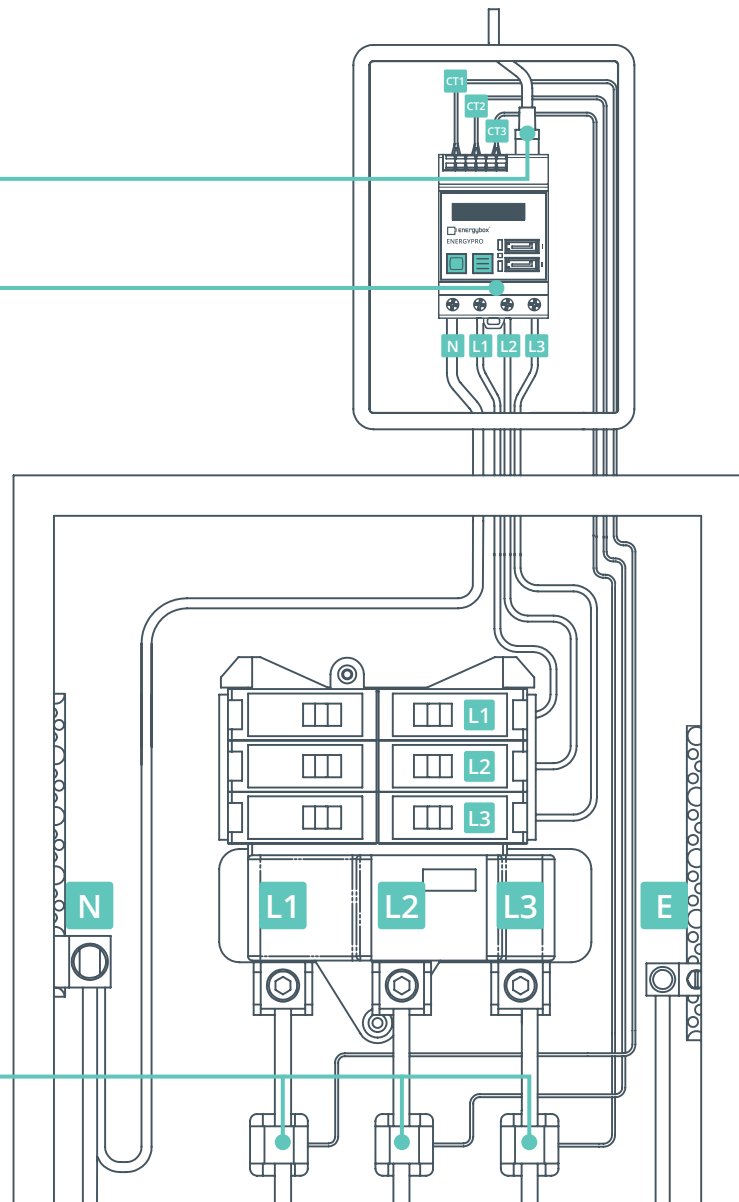
## Installation

Outside the Load Center

LAN Cable  
to Local Network

Energypro

EnergyCT  
CT1 to L1  
CT2 to L2  
CT3 to L3



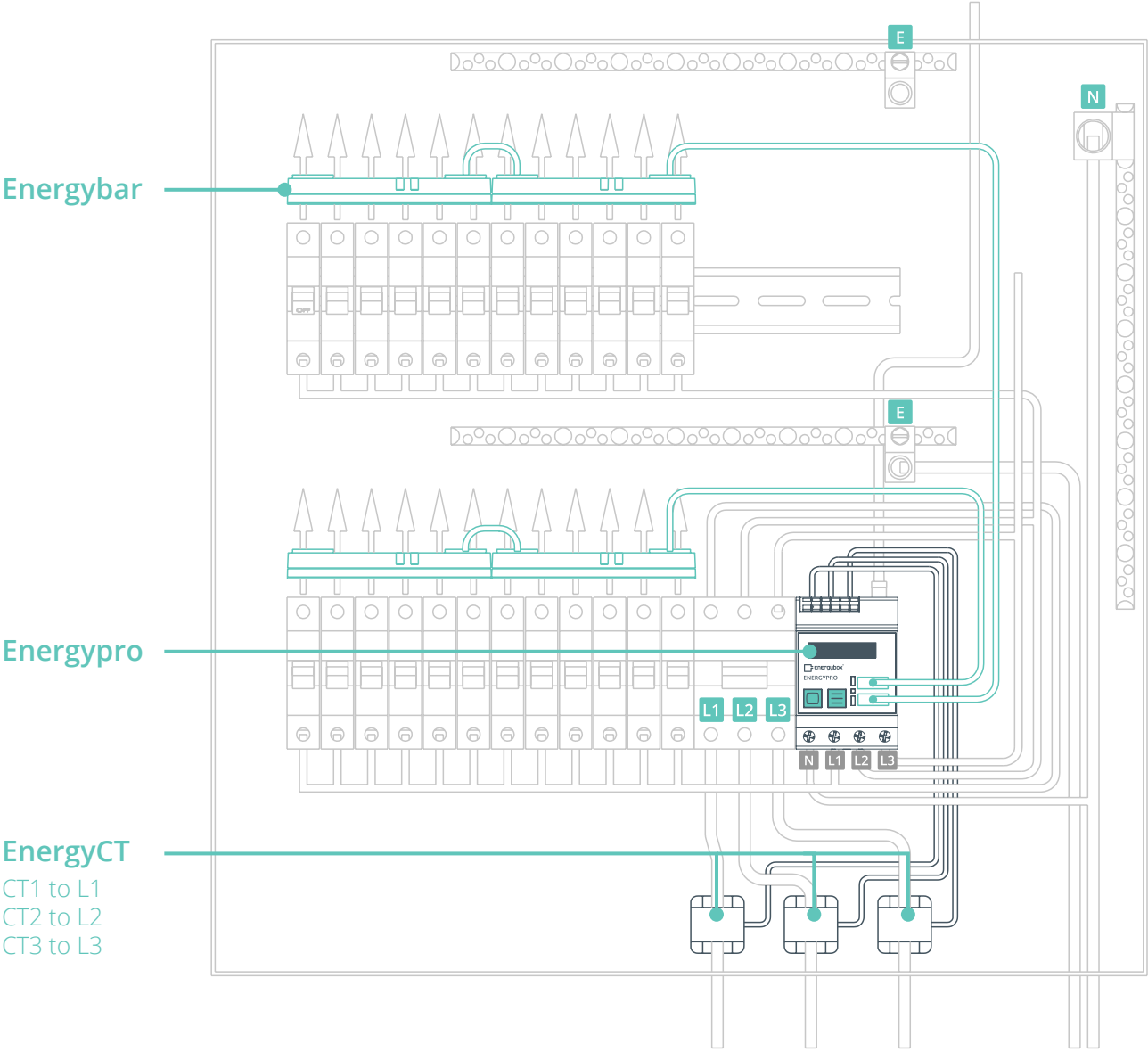
# Energypro

EB/PRO-01



## Installation

Inside the DIN Rail Panel



# Energypro

EB/PRO-01



## Installation

Energybox System

Energybar

Energyspider

Energypro

EnergyCT

CT1 to L1  
CT2 to L2  
CT3 to L3

